



Vortex™ Coin Changer

Installation & Operation Guide

Multi-Drop Bus

COINCO'S VTX1 COIN CHANGER

The Vortex Coin Changer is the result of extensive research and development in increasing coin capacity. This greatly simplified unit provides many important features never before available in any coin changer.

FEATURES

- MDB (Multi-Drop Bus) Interface
- Accepts US 5¢, 10¢, 25¢ and \$1 coins
- Dispenses US 5¢, 10¢ and 25¢ coins from self-loading, high-capacity hoppers
- Field proven validation technology
- Tilt-out coin hopper for easy loading
- Payout sensors ensure coin delivery
- Programmable coin capacity levels (Float Mode)
- Flash programmable memory
- Rugged design withstands harsh environments

UNPACKING

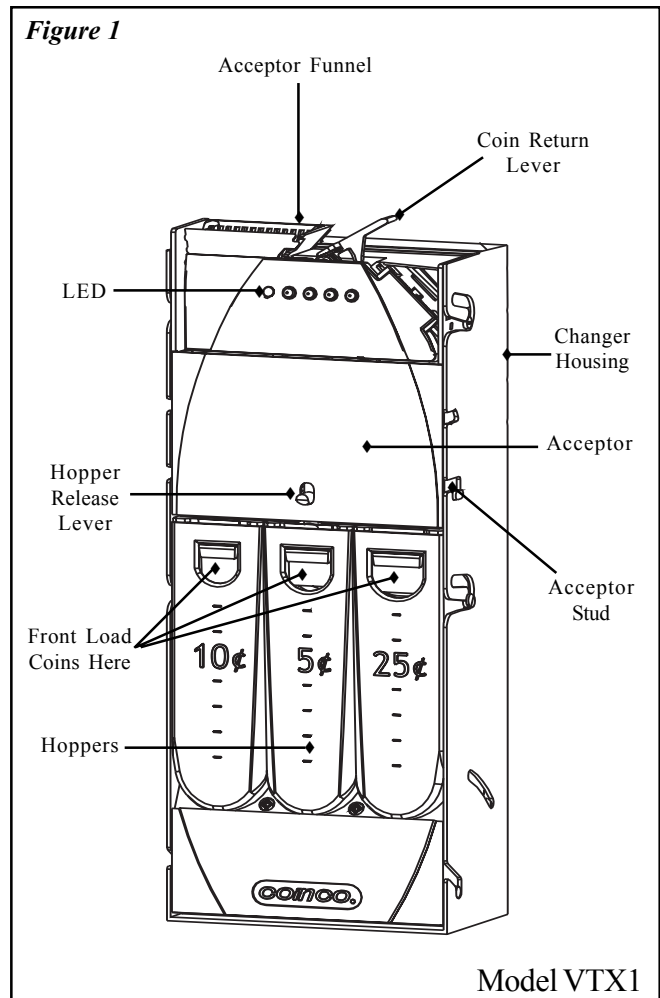
After unpacking the unit, inspect for any possible shipping damage. If damaged, notify the shipping company immediately. Keep the carton and packing material to reuse if you need to transport or ship the changer in the future. A label indicating the model and serial number is on the side of the changer. Refer to these numbers when calling upon your Coinco Service Center representative for information or service.

INSTALLATION AND OPERATION

(see Figure 1)

1. Remove the power from the vending machine.
2. Remove the acceptor from the changer by lifting the hopper release lever and pulling the acceptor funnel forward.
3. Unplug the acceptor harness from the changer.
4. Mount the changer on the vendor's mounting screws and tighten.
5. Install the acceptor by inserting the bottom acceptor studs into the changer housing guides. Plug the acceptor harness into the changer. Press the top of the acceptor into the changer housing. Slide the hopper release lever down to the locked position.

6. Operate the vending machine coin return lever to ensure proper operation.
7. Load coins into the hoppers.
8. Connect the changer MDB harness to the vending machine and apply power.
NOTE: When power is first applied, the Vortex changer will cycle all three payout rings twice to establish the presence of coins.
9. Pay out a few coins from each hopper.
10. Test the changer with a variety of coins to ensure proper operation.



COIN LOADING PROCEDURES

(see Figure 2)

Top Load:

Lift the hopper release lever and pull the hopper forward. Open a single hopper lid by releasing the black snap, located at the front of each hopper.

NOTE: *This operation opens both the sensor cover and the hopper lid. To minimize misloading, do not open more than one hopper lid at a time.*

Fill the hopper to the desired level, snap the lid closed and repeat the process for each coin type. When finished filling all of the hoppers, secure the sensor cover (over the hopper lids) and close.

Bench Top Load:

The hopper assembly may be removed by lifting the hopper release lever and pulling the hopper assembly forward to the stops. Disconnect the hopper harness and lift the hopper assembly up and out. Continue by following the Top Load instructions above.

Front Load:

Each hopper can be loaded by inserting coins through the openings, in the front of the hopper.

Acceptor Load:

Coins can be loaded through the acceptor to fill the hoppers when the Manual Fill Mode is selected. No credit is established in Manual Fill Mode. To enter the Manual Fill Mode, press the 25¢ inventory switch and the blue Mode switch at the same time. The acceptor LED will flash an equal pattern of ON and OFF to indicate that this mode is activated. Coins inserted through the acceptor will be routed to the appropriate hopper. To exit the Manual Fill Mode, press the blue Mode switch or coin return lever.

PAYING OUT COINS

(see Figure 3)

Coins can be emptied from the hoppers by pressing the appropriate Inventory Switch. Holding the switch in until 5 coins are dispensed starts the auto-paydown mode. To STOP the payout cycle, either press the blue Mode switch or hold the coin return lever down.

OPTION SETTING

(see Figure 3)

Float Mode:

Float Mode allows the operator to limit the amount of coins stored in the hopper between the low and high sensors. Accepted coins go to the cashbox when the level of coins in the hopper reach the float level. The float level of all the coin hoppers can be set to any level above the low coin sensors, by using the acceptor's four inventory/mode switches.

Figure 2

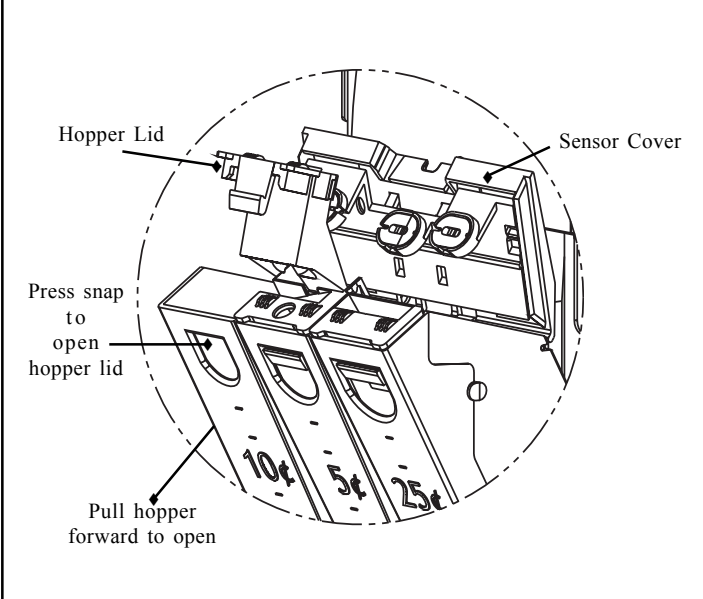
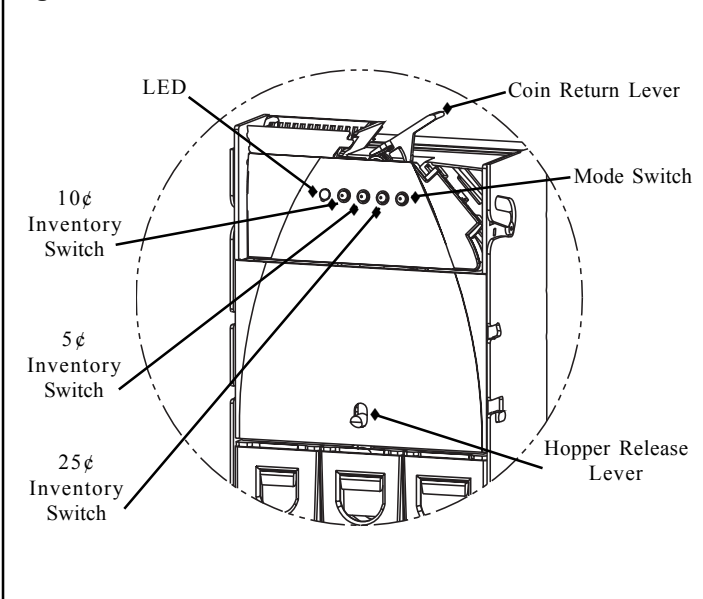


Figure 3



1. Use one of the loading methods described and fill the hoppers to the float level you want the coin changer to maintain.
2. Press and hold the two outside inventory switches (10¢ and Mode) on the acceptor until the acceptor's LED flashes with a 90% On and 10% OFF cycle.
3. Immediately press the two inside inventory switches (5¢ and 25¢) on the acceptor to store the levels. The LED will flash a 10% ON and 90% OFF cycle to indicate the float levels are set.

To turn off the Float Mode, repeat steps 2-3. Once Float Mode is OFF, the LED will remain ON constantly and all hoppers will fill to the high sensor.