

VANTAGE[®]

Coinco's Vantage™ bill acceptor offers industry leading features and innovative technologies specifically designed to maximize your profits in today's competitive markets.

KEY BENEFITS

- Advanced bill image processing and dynamic sensor calibration offer **industry leading bill acceptance** and fraud protection.
- Smart Bezel™ **increases sales** by actively communicating \$1, \$5, \$10, and \$20 bill acceptance in real time.
- Centric drive technology compensates for skewed bill insertions, ensuring **highest first time acceptance**.
- Quick-release bezel **speeds installation and removal**, improving access while reducing service costs.
- Three levels of anti-stringing technology provide **superior cheat resistance**.
- Capture new customers with **eye-catching impulse lights**.
- Sculpted 360° illuminated bezel offers ease of bill insertion, **improving the consumer purchasing experience**.
- Automated self-diagnostics ensure optimal performance resulting in **fewer service calls**.



*Increase your profits with the **Vantage[®]** advantage.*

Vantage® Series Bill Acceptors

Coinco's Vantage® bill acceptor maximizes profits with industry leading acceptance and a host of advanced features for highest in-service time.

VX63B45US00 MDB, 66mm, 34VDC, Basic bezel, \$1-\$20, FlexStack® cashbox
VL61S41US00 Pulse/Serial/Parallel/MDB, 66mm, 110VAC, Slimline bezel, \$1-\$20, 1100 note cashbox

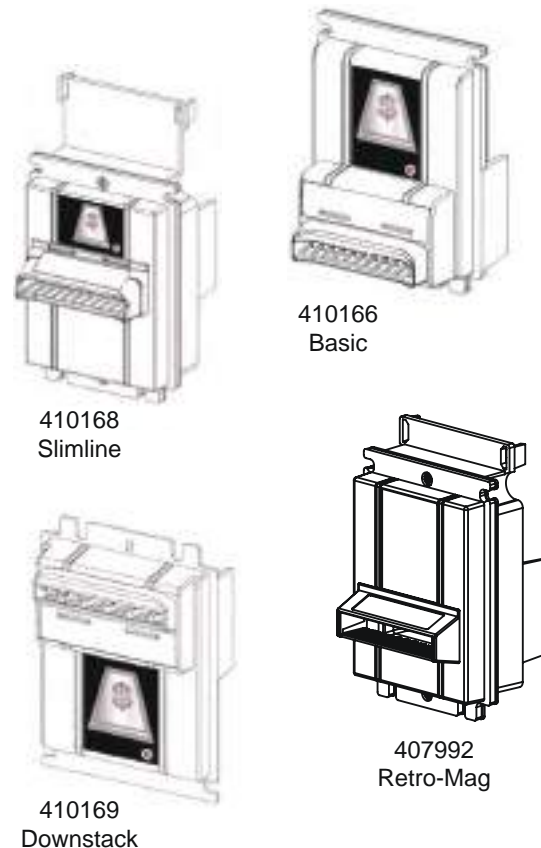
Other models available - please contact your Coinco Sales Representative.

Bezel Options: Basic, Slimline, Retro-Mag, Downstack, plus Card Reader combo bezel

Cashbox Options: 300 note, Flexstack® 500 note, 1100 note

Bill Acceptance: \$1-\$20 or \$1-\$100

Accessories: High security metal bezel, Cashbox locking hasp



Key Features

- Industry-leading bill acceptance and reliability
- Smart Bezel™ actively communicates bill acceptance
- Illuminated 360° bezel improves purchasing experience
- Quick-release bezel standard on all models
- Industry leading security and water protection
- Coupon field-teach mode for fast on-site activation
- Attention grabbing impulse LED lighting

More Profitable

New features to increase your in-service time and sales.

- Smart Bezel™ increases sales by communicating \$1, \$5, \$10, and \$20 bill acceptance in real time.
- Centric driver roller provides highest acceptance rates for skewed bills.
- Automated self-diagnostics and visual bezel notification guarantee your validator is always ready to accept cash.
- Teach-N-Go coupon technology offers fast coupon enabling for unlimited promotional opportunities.

More Robust

Innovative technologies enhance reliability and security.

- Twelve sensor pairs scan more of the bill. Multiple analysis technologies increase acceptance while eliminating frauds.
- Streamlined bill path and intelligent bill transport software reduces jam conditions providing highest in-service time.
- Level Three Cashbox Lockout Technology provides industry leading security by completely blocking bill path access to the cashbox.

More Flexible

Easier to install, service and update.

- FlexStack® cashbox holds over 500 bills. It maximizes bill capacity and reduces machine visits.
- Quick-release bezel expedites installation and removal, even for tight installations.
- Tool-free disassembly eases service. Illuminated bezel and status indicators simplify setup and troubleshooting.
- Broad range of support tools and accessories to meet your specific application.

929011 Rev 2



World Headquarters U.S.A.
300 Hunter Avenue
St. Louis, MO 63124-2013
1.800.325.2646
www.coinco.com

Canadian Headquarters
1-435 Four Valley Drive
Concord (Toronto), Ontario
L4K 5X5 Canada
1.800.387.9300