



# Vantage™ Series Bill Acceptor

## Installation & Operation Guide

### Introduction

The Vantage™ Series bill acceptors represent another milestone in Coin Acceptors, Inc. history of innovation. These advancements continue to provide Coinco customers with improved reliability, simplified route operations, and increased profitability.

### Product Overview and Features

The Vantage acceptor incorporates a wide range of benefits, including:

- Quick-Release Bezel speeds installation and removal.
- Optional FlexStack™ bill box expands from 200 bills to hold up to 500 bills. Fixed note bill boxes are available with between 300 and 1100 note capacities.
- Illuminated bezel and status indicators simplify setup and troubleshooting.
- Patented note path lockout provides high security Level Three stringing and fishing protection.
- Smart Bezel™ feature (optional) actively communicates ability to accept \$5 bills.

### For Your Records

A label indicating the model number and serial number can be found on the side of the Vantage bill acceptor. Refer to the model number and serial number whenever you call your Coinco Service Center for information or service.

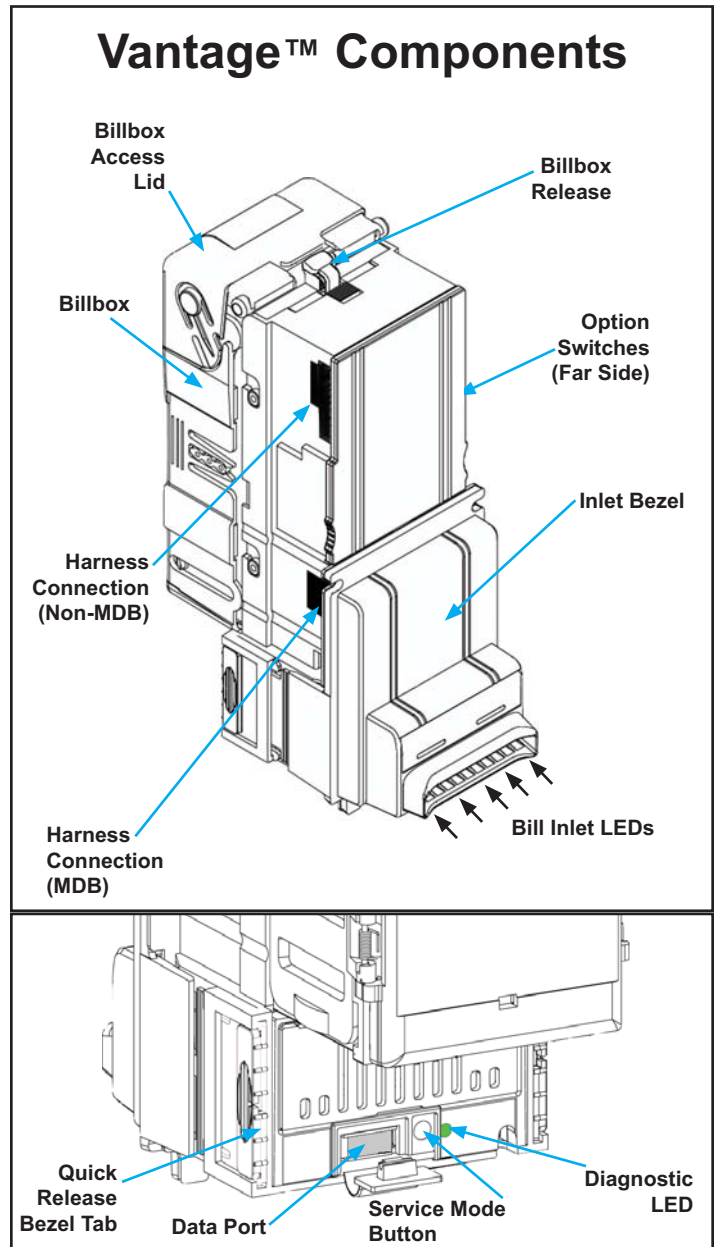
The first four digits of the bill acceptor serial number indicate when the unit was built, which is also the beginning of the warranty period:

- First two digits: indicate week of manufacture.
- Third and fourth digits: indicate the year.

For example, Serial number **1508000123** indicates the unit was manufactured in the 15th week of 2008.

### Bill Acceptance

Model	Bill Width	\$1	\$5	\$10	\$20	\$50	\$100
Vx6xx2xUS	66mm	X	X				
Vx6xx4xUS		X	X	X	X		
Vx6xx6xUS		X	X	X	X	X	X
Vx7xx3xCA	72mm		X	X	X		
Vx7xx5xCA			X	X	X	X	X



**Figure 1**

### Input Power and Interfaces

Model #	Voltage	Hertz	Amps	Interface
VAx1	110VAC	60Hz	0.7A rms (max)	Amusement Pulse, Vend Serial
VLx1				Pulse, Parallel, Vend Serial, MDB
VLx2	24VAC		2.5A rms (max)	Pulse, Parallel, Vend Serial, MDB
VXx3	34VDC	NA	1.8A (max)	MDB

## Unpacking the Bill Acceptor

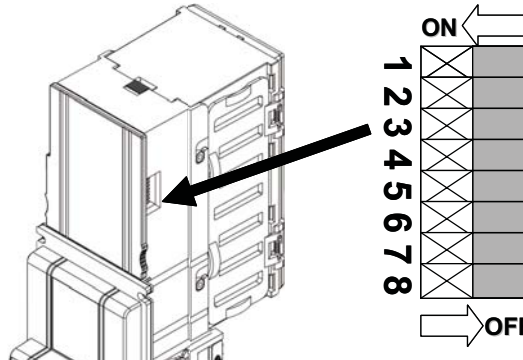
After removing the bill acceptor from the shipping carton, inspect it for possible damage. If the unit is damaged, notify the shipping company immediately. The consignee (person or company receiving the unit) can file a claim against the carrier for shipping damage. We recommend you keep the original carton and packaging materials to reuse if you need to transport or ship the bill acceptor in the future. If the bill acceptor is being stored or used as a spare, always keep it in its shipping carton when not in use. This will keep it clean and offer the best protection for the unit

## Option Switch Settings

See Figure 2. This step is not necessary for MDB applications.

### Option / Dip Switch Settings

*Note: There are no switches on MDB only models.*



Pulse Timing	Switch 1	Switch 2
50 / 50mS	ON	ON
150 / 150mS	ON	OFF
Custom (default is 200/200mS)	OFF	ON
Parallel (Credit Line) VL Models Only	OFF	OFF

	ON	OFF
Switch 3	4 Pulse/\$	1 Pulse/\$
Switch 4	Always Enabled	Host Enabled
Switch 5	Serial	Pulse
Switches 6 - 8	<i>Reserved</i>	

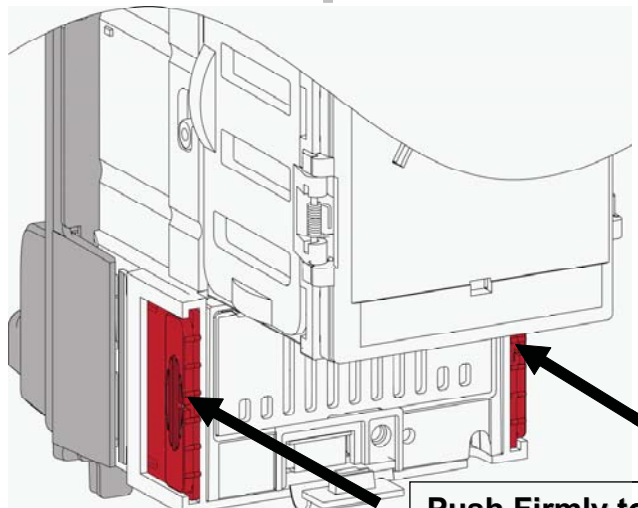
**NOTE: Power MUST be reset for revised switch settings to take effect.**

**Figure 2**

## Installing the Bill Acceptor

1. Remove power from the host machine. DO NOT connect the bill acceptor harness to the machine with power connected.
2. Install the bill acceptor into the host machine using the mounting studs and hardware in the machine. To simplify installation, see Figure 3.
3. Install / connect the proper interface harness to the host machine.
4. Restore power to the machine.
5. The illuminated bill inlet will begin to flash and the stacker motor will cycle upon power-up. If this does not occur, check the wiring harness connections and make sure power is applied.
6. Check the Vantage diagnostic LED on the back of the unit Figure 1 to verify it is green and ON continuously. If it is not, you can troubleshoot based on the status shown on the billbox decal or Figure 8.
7. With the vend price set below one dollar, insert a one dollar bill.
8. Verify credit has been established.
9. Check the bill box to see that the one dollar bill was properly stacked.

### Quick Release Bezel Operation



1. Push firmly on Quick Release Tabs using a screwdriver tip. Tabs will move towards bezel and latch.
2. Once both tabs are latched, the bill acceptor will separate from the bezel.
3. To reattach, push bill acceptor body firmly onto bezel until it locks.

**Figure 3**

## ✓ Configuring Bill Acceptance & Options

To change the configuration settings:

1. Remove the bill box.
2. Press and release the Service Mode Button. Wait for the green diagnostic LED to begin flashing two times.
3. Remove the lower housing – press the release button on the bottom side of the Vantage and slide the lower housing out of the bill acceptor *Figure 6*.
4. The 5 LED's on lower housing will tell you which setting is either on or off. Use *Figure 5* as a guide to enable or disable bill acceptance and options. If the LED light is "on", the option is turned on. If the LED is off, the option is turned off.
5. To advance from one page to another, with the lower housing removed, look at the flashing LED #5. Press and hold the Service Mode Button on the lower housing for 7 seconds. 1 blink means you are on page 1. 2 blinks means you are on page 2 and so on. Release the Service Mode Button when blinking LED #5 indicates the page you wish to configure.

6. To save the settings, re-install the lower housing in the Vantage. Be careful not to press the Service Mode Button when installing the lower housing as this will change your settings.

- **Coupon Acceptance:** Enables or disables acceptance of all user-loaded coupons. If this is set to "OFF", no coupons will be accepted.

- **High Security vs. Standard Security Bill Acceptance:** The Standard Security setting accepts 95+% of genuine street-grade legal bills. High security mode is recommended for locations with a higher risk of frauds

- **Bezel Lighting Mode:** Use the bill inlet LEDs #3 and #4 on page 2 to select Smart Bezel, Impulse, or Steady bezel lighting. See *fig. 5* and chart below.

LED #3	LED #4	Mode	LED Operation
Off	Off	Smart-4	Upper 4 individual LEDs communicate \$1, \$5, \$10, \$20 acceptance when enabled by host machine.
On	Off	Impulse	Upper 4 individual LEDs blink in a runway pattern.
Off	On	Smart-2	Upper two LED sets (left and right) communicate \$1 or \$1&\$5 acceptance when enabled by host machine.
On	On	Steady	Upper 2 LED sets (left and right) communicate \$1 or \$1&\$5 acceptance. Lower outside LEDs remain steady on.

- **1-Way/2-Way/4-Way:** Defines the number of bill orientation directions that the bill acceptor will accept. 1-Way and 2-Way are face up.

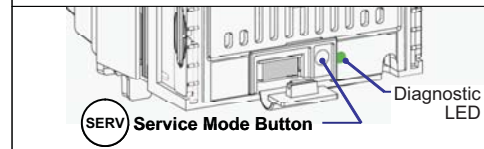
- **Level 3 Security:** Recommended for higher risk environments. Provides additional level of security against stringing and fishing attempts by blocking access to the bill path.

## To Configure Options

#	Action	Mode	Diagnostic Light
1.	Press and release button, diagnostic LED flashes.	Service	x 2
2.	Remove Lower Housing	Config	
3.	Set Options As Desired (see Options Navigation and Configuration Settings figures)	Config	
4.	Re-install Lower Housing. Inlet LEDs flash 5 times confirming options are saved.	Sales or Ready	
5.	Test unit to ensure proper setup.		

## Options Navigation

Press Once & Release	Scrolls to <b>next set</b> of options within current Page. Each option should be configured properly before moving to the next Page.
Press & Hold for next Page	Scrolls to <b>next Page</b> of options.



**Figure 4**

## Configuration Settings

**ON** Inlet LED On: Option On (Enabled) **OFF** Inlet LED Off: Option Off (Disabled)

<b>Page 1</b>	<b>Bill Acceptance</b>  \$1 \$5 \$10 \$20 <b>Page 1 (Flash x1)</b>
<b>Page 2</b>	<b>Coupons / Security / Bezel Lights</b>  Coupons High Security #3 #4 <b>Page 2 (Flash x2)</b>
<b>Page 3</b>	<b>Bill Acceptance / Orientation</b>  1-Way 2-Way 4-Way (both on) \$50 \$100 <b>Page 3 (Flash x3)</b>
<b>Page 4</b>	<b>Level 3 Security</b>  Level 3 Security Reserved <b>Page 4 (Flash x4)</b>

**Figure 5**

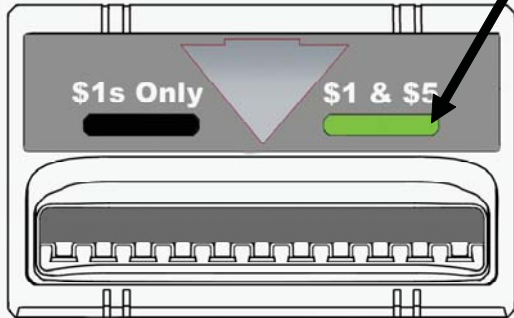
## Smart Bezel™ Options

See Figure 7. Feature not available on all models.

# Smart Bezel™

Communicates to Customer in Real Time Which Bills Are Being Accepted

Denotes acceptance of both \$1 and \$5 bills



- **\$1 & \$5 Is Lit When:** Both bills accepted; change can be made for either.
- **\$1s Only Is Lit When:** Change can only be made for \$1 bills.

**Note:** For correct operation, make sure \$1 and \$5 bills are enabled (see Configuration Settings).

Figure 7

# Diagnostic Flash Codes

	Flash Code	Validator Status
Operational	(solid)	Sales Mode / OK
	x 1	Coupon Teach *
	x 2	Service Mode
Warning	x 1	Clean Unit
	x 2	Service Unit
Out of Service	x 1	Cashbox Full
	x 2	Clear Bill Path
	x 3	Out of Service

\*: See Service Manual for more info on Coupon Teach.

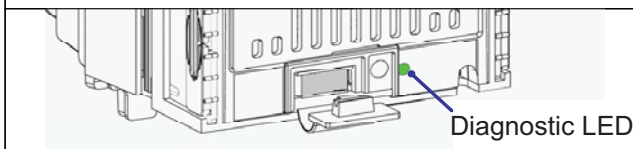


Figure 8

## Lower Housing Removal

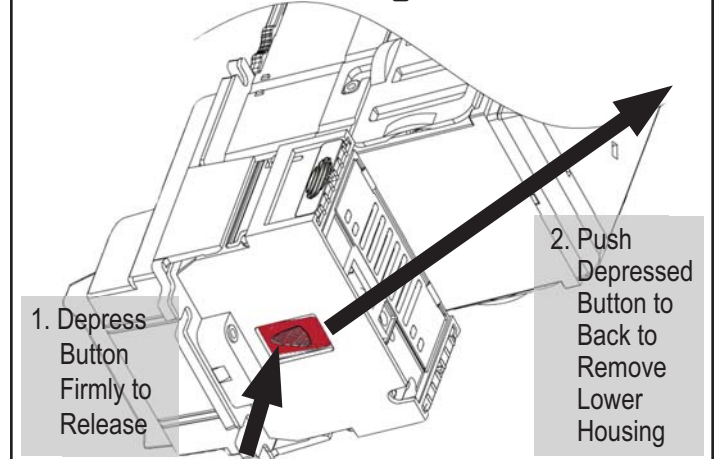


Figure 6

## Vantage™ Cleaning and Maintenance

**Note:** Electrical power must be disconnected from the bill acceptor before performing any cleaning operations.

### Recommended Cleaning Material

A mild solution of detergent can be used for cleaning the belts, bill path and sensor lenses, as well as for general cleaning of the bill acceptor. Beverages or other water-soluble liquids which have been spilled on or into the bill acceptor can usually be removed with warm soapy water. External surfaces can be cleaned with a damp cloth.

**Note:** Petroleum-based cleaners and freon-based propellants can damage plastic and some electronic components. Scouring pads and stiff brushes may harm circuit boards and can mar the plastic. These items should never be used to clean the bill acceptor.

### Cleaning the Vantage

The Vantage should be cleaned every 20,000 bills or every two years (or as needed, depending on the environmental conditions of the location). Dust can be removed with a soft brush or cloth or it can be blown out using compressed air.



**Coin Acceptors, Inc.**  
U.S. World Headquarters  
300 Hunter Ave.  
St. Louis, MO 63124-2013  
1.800.325.2646

**Coin Acceptors, Inc.**  
Canadian Headquarters  
1-435 Four Valley Drive  
Concord (Toronto), Ontario  
LK4 5X5 Canada  
1.800.387.9300

[www.coinco.com](http://www.coinco.com)

Coinco Publication #928996 Rev4  
Printed in the U.S.A 7/10